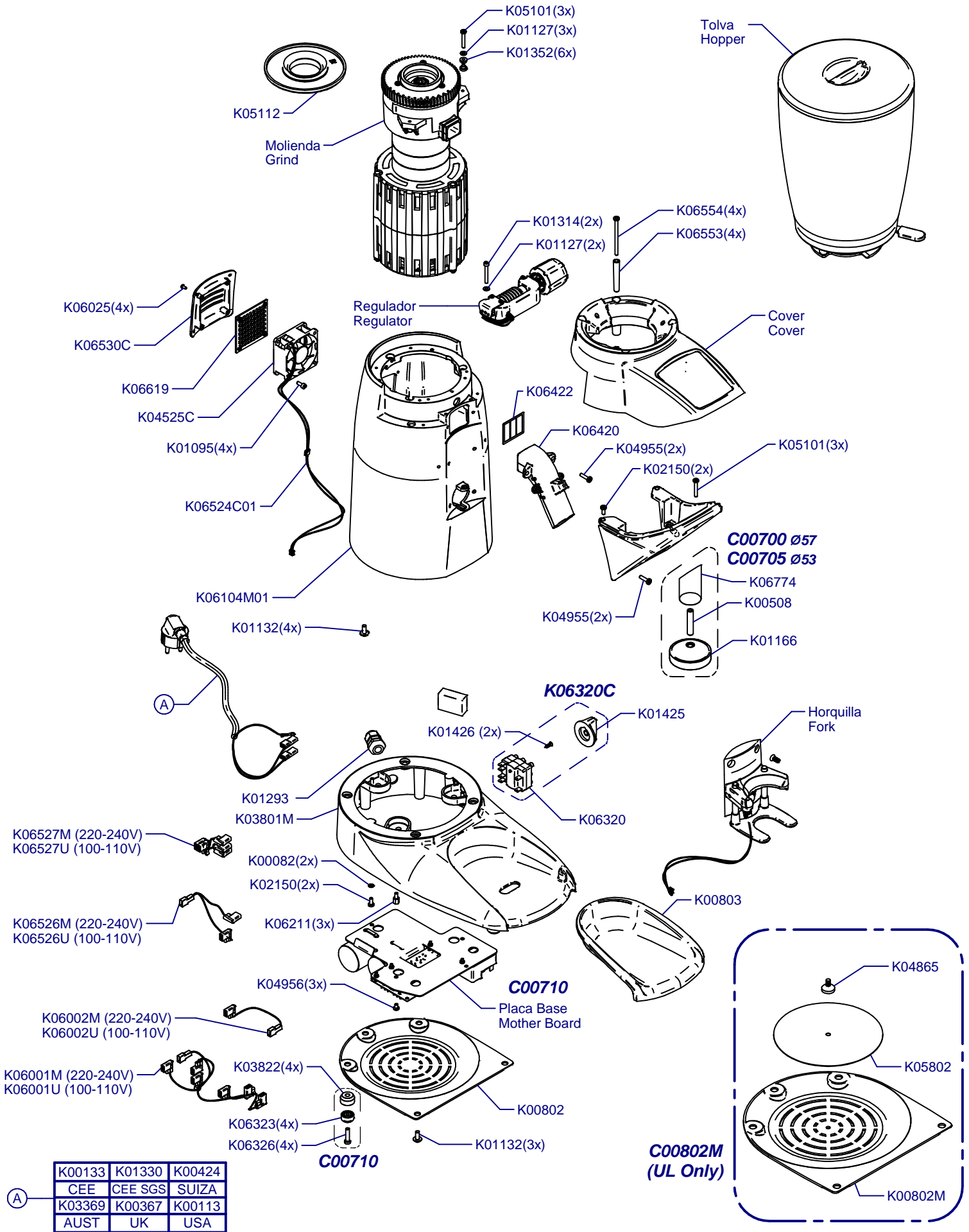


**F10 Fresh On Demand**

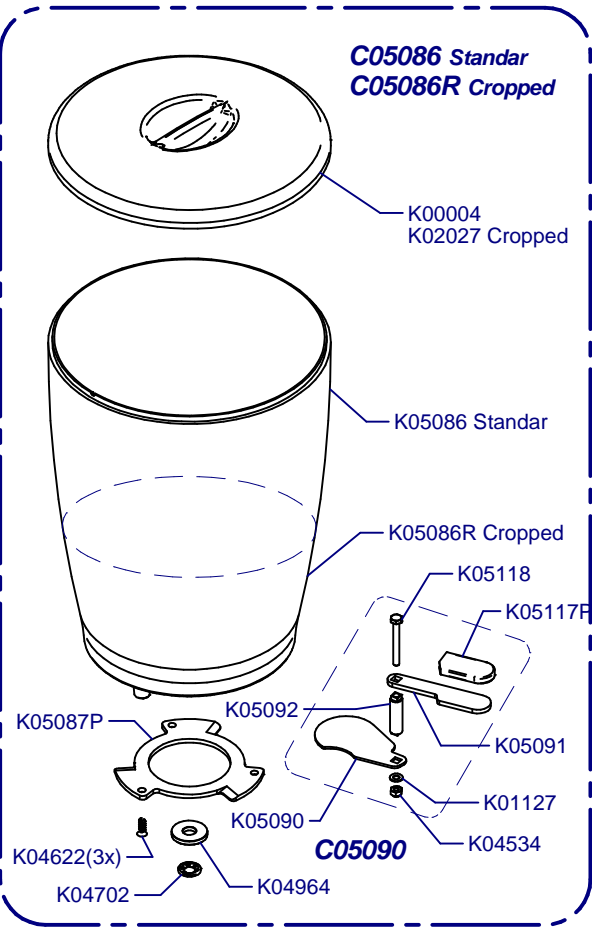
Updated 03/11/2020



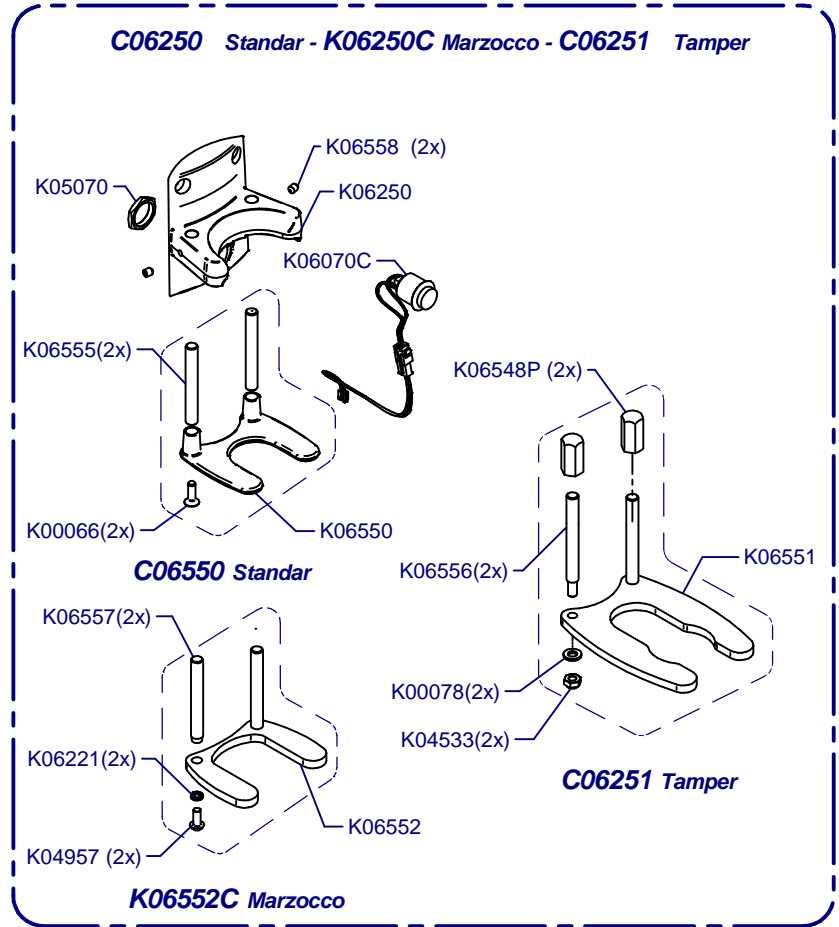
K00133	K01330	K00424
CEE	CEE SGS	SUIZA
K03369	K00367	K00113
AUST	UK	USA

(A)

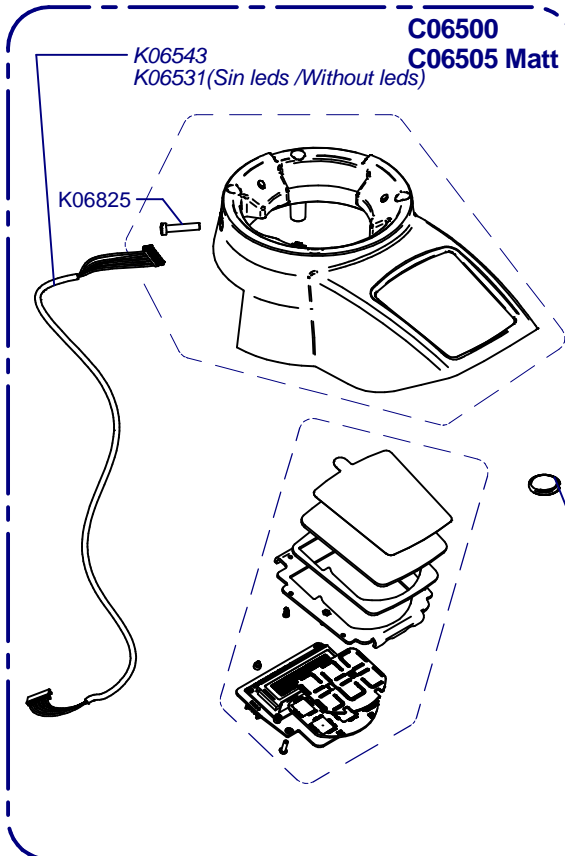
**Tolva / Hopper**



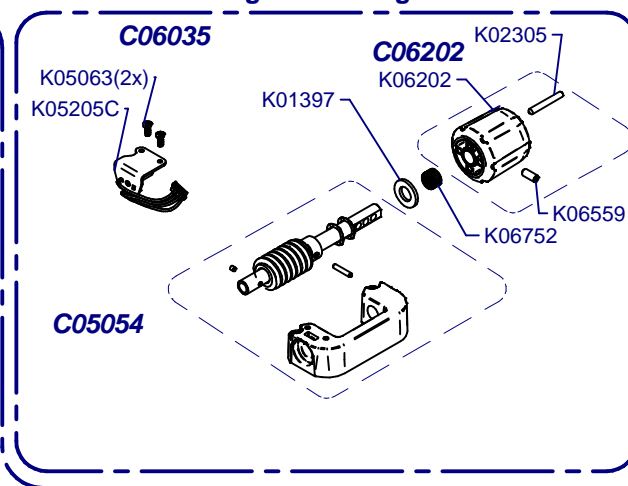
**Horquilla / Fork**



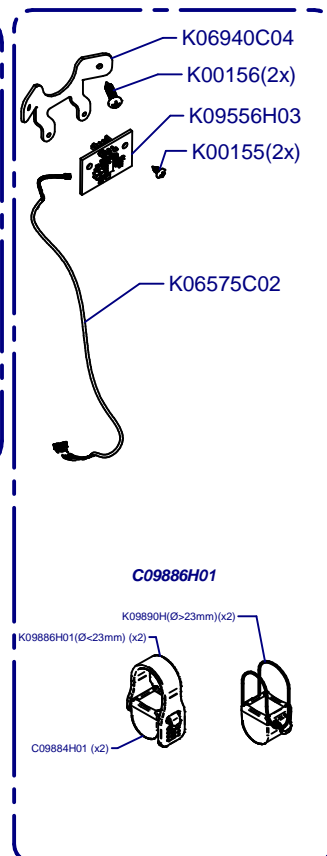
**Cover / Cover**



**Regulador / Regulator**



**Portafilter Detector**



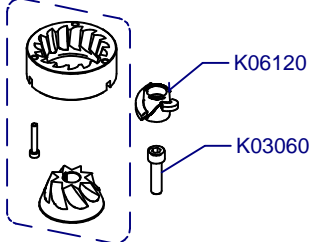
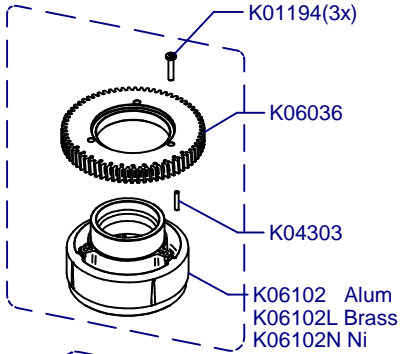
- C06004O02 1-2 50Hz Compak**
- C06015O02 1-2 60Hz Compak**
- C06004V02 1-2-3 50Hz Compak**
- C06015V02 1-2-3 60Hz Compak**

**Molienda / Grind**

**C00620 Aluminium**

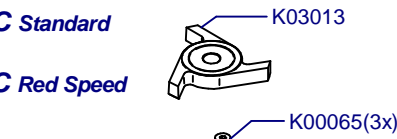
**C00625 Brass**

**C00620N Niquel**

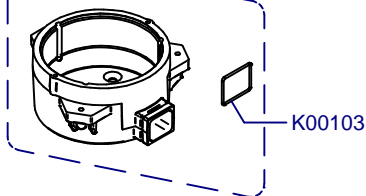


**K03078C Standard**

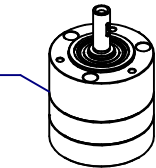
**K03178C Red Speed**



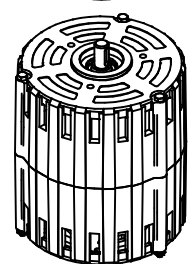
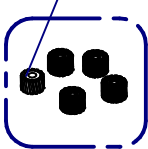
**C00615**



**K03271**



**K03057**



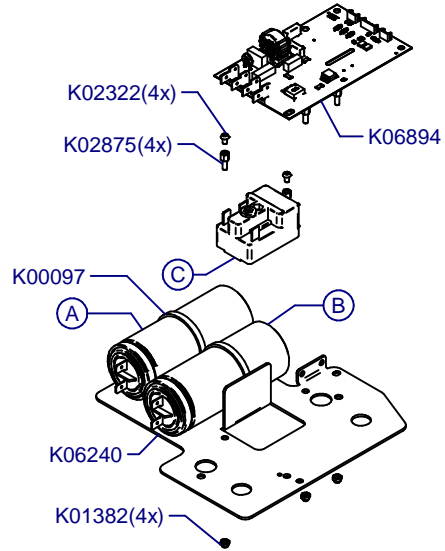
K03772	220-240V
K03776	110V

**C00633**  
= C00620 + C00615 Alum

**C00632**  
= C00625 + C00615 Bras

**C00633N**  
= C00620N + C00615 Ni

**Placa Base / Mother Board**



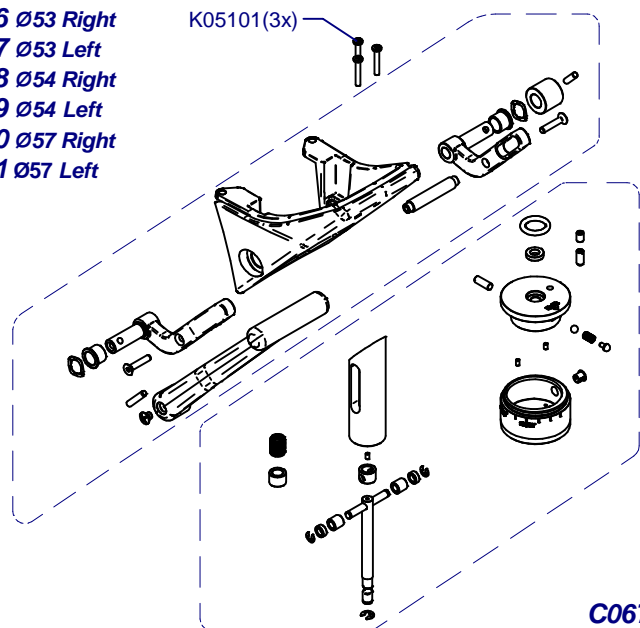
(C)	(A)	(B)	
K03272	K04591	K04576	220-240V
K06795	K06799	K03877	100-110V

**C00510 (220-240V)**

**C00520 (100-110V)**

**Prensa Regulable / Adjustable Tamper**

- C06756 Ø53 Right**
- C06757 Ø53 Left**
- C06758 Ø54 Right**
- C06759 Ø54 Left**
- C06760 Ø57 Right**
- C06761 Ø57 Left**



**C06746 Left**  
**C06745 Right**

**C06743 Ø57**  
**C06744 Ø54**  
**C06755 Ø53**