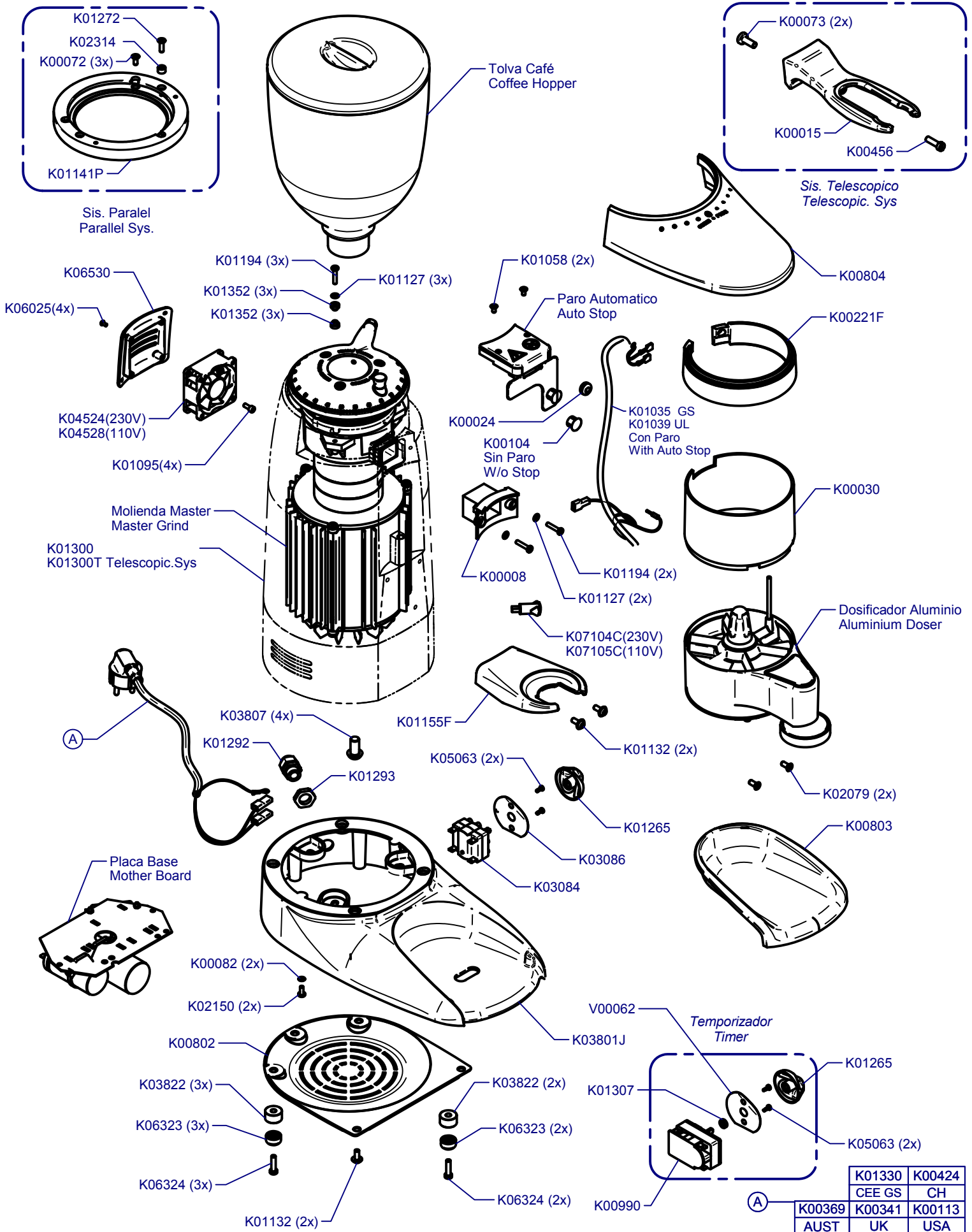


K10 Master Conic Traditional

Updated 22/03/2014

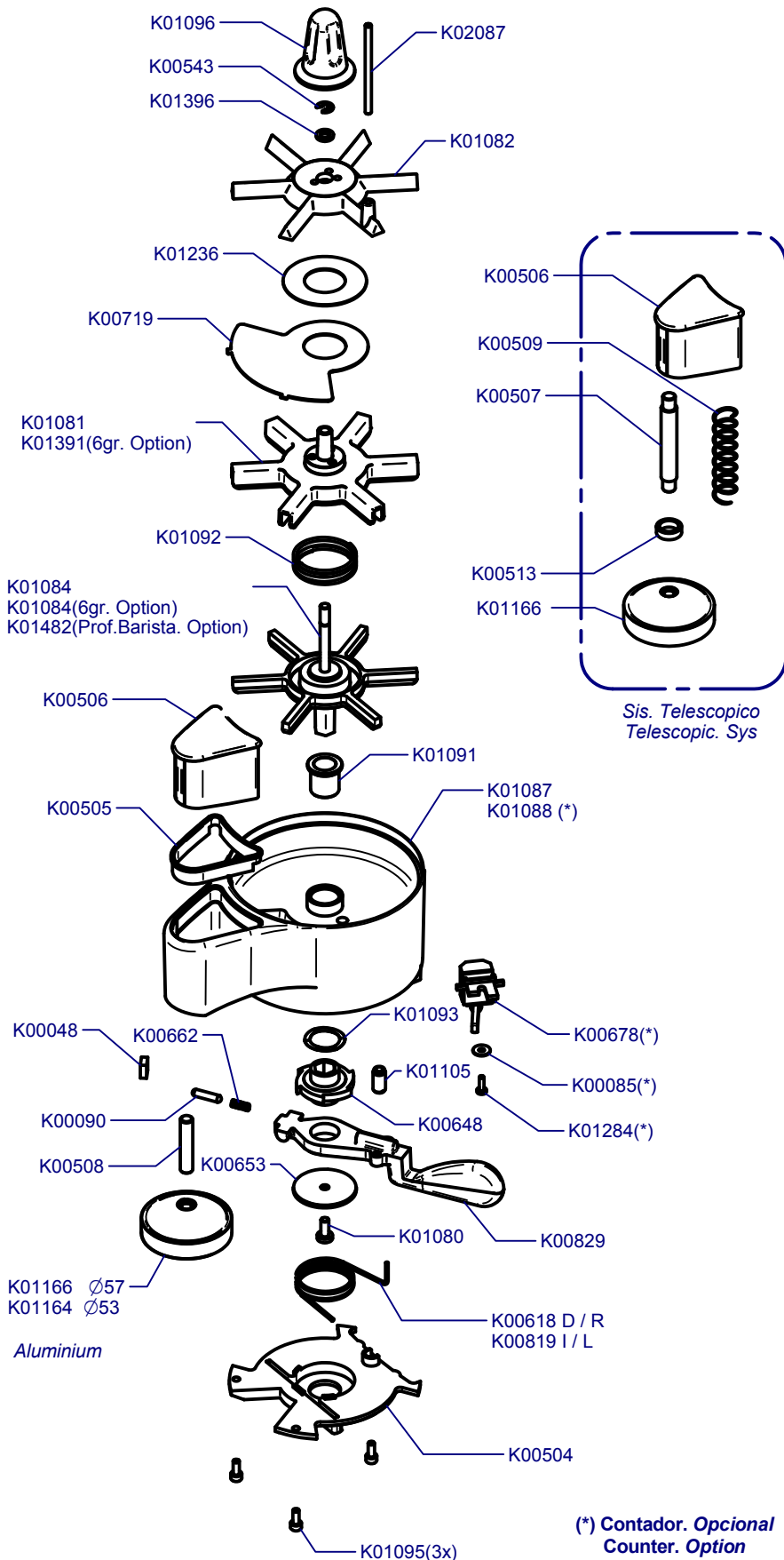


K01330	K00424
CEE GS	CH
K00369	K00341
AUST	UK
	K00113
	USA

K10 Master Conic Traditional

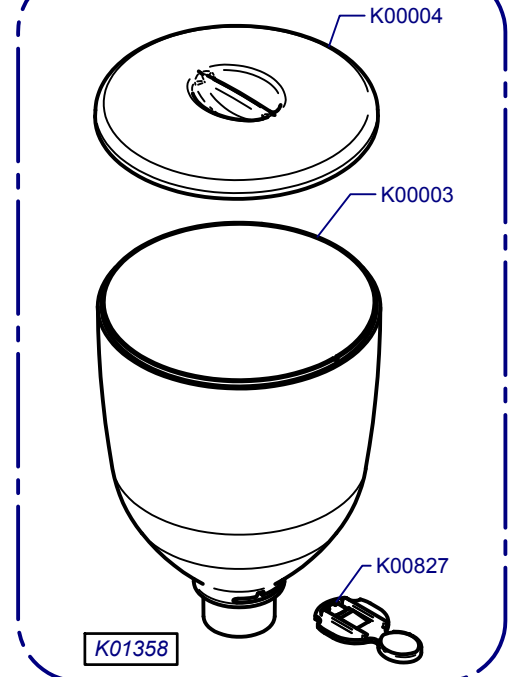
Updated 22/03/2014

Dosificador Aluminio/ Aluminium Doser

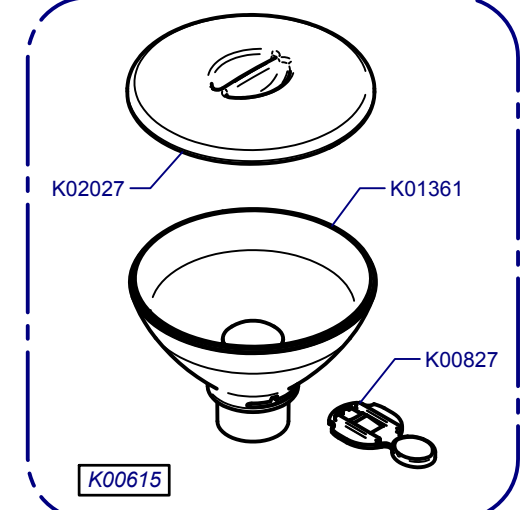


K01226

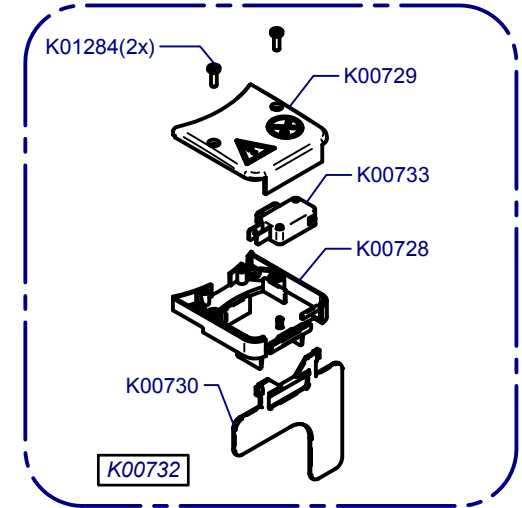
Tolva Café / Coffee Hopper



Tolva Café 275gr / Coffee Hopper 275gr

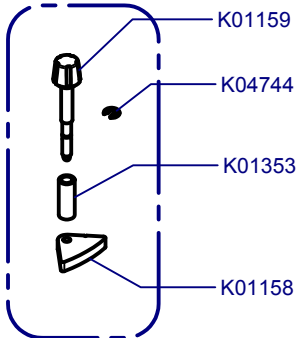


Paro Automático / Auto Stop

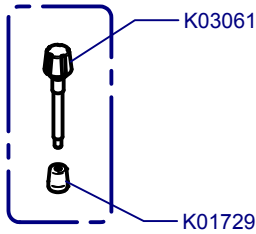


K10 Master Conic Traditional

Updated 22/03/2014



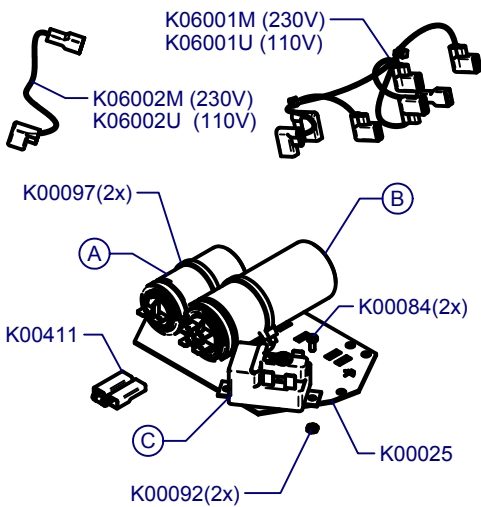
Sis. Paralel
Parallel Sys.



Sis. Micrometrico
Micrometric Sys.

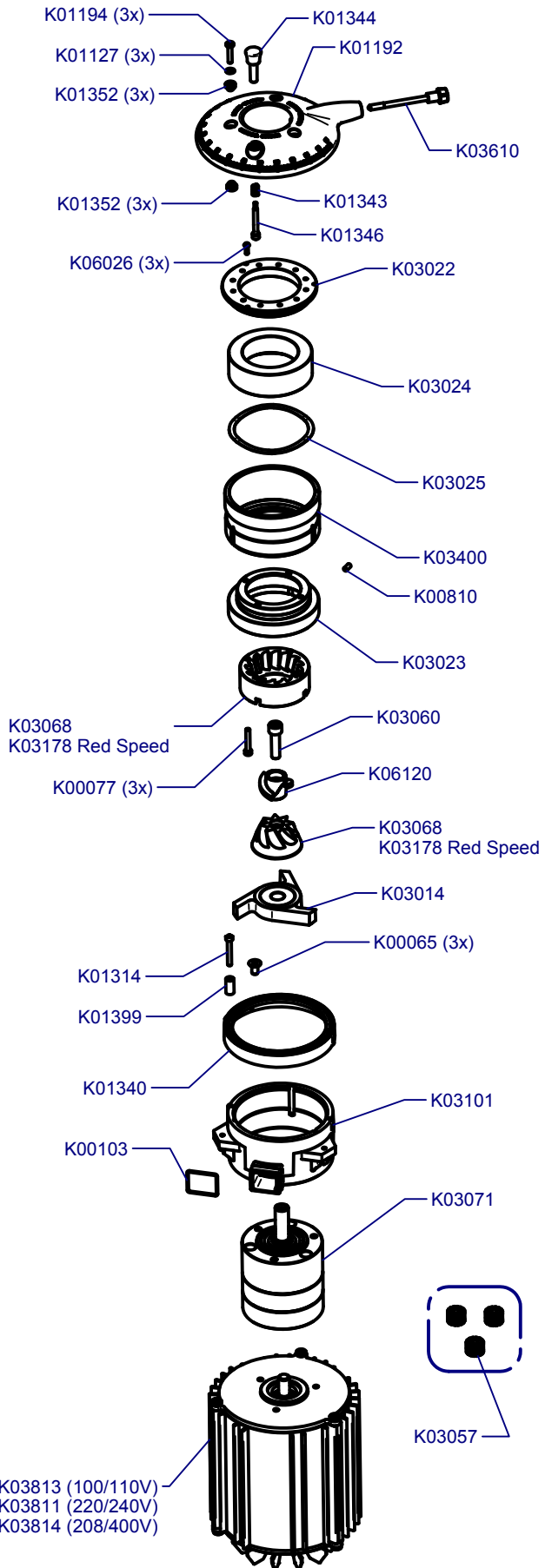
(*) **Sis. Punto a Punto**
Stepped Sys.

Placa Base / Mother Board



(C)	K03670	220-240V	(A)	K04592	K04574	220-240V
	K03823	100-110V		K03825	K03877	100-110V

Molienda / Grind



K03813	(100/110V)
K03811	(220/240V)
K03814	(208/400V)