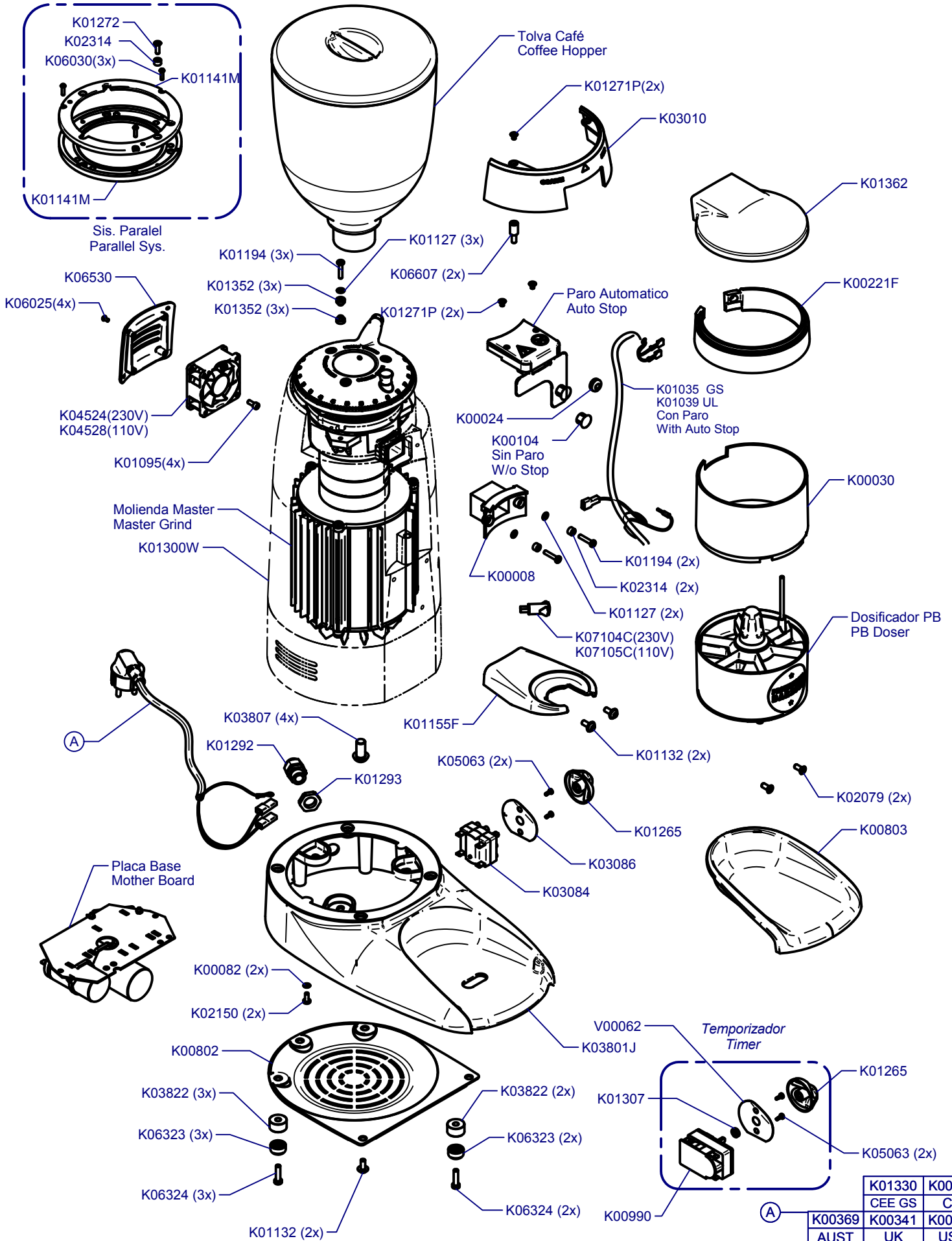
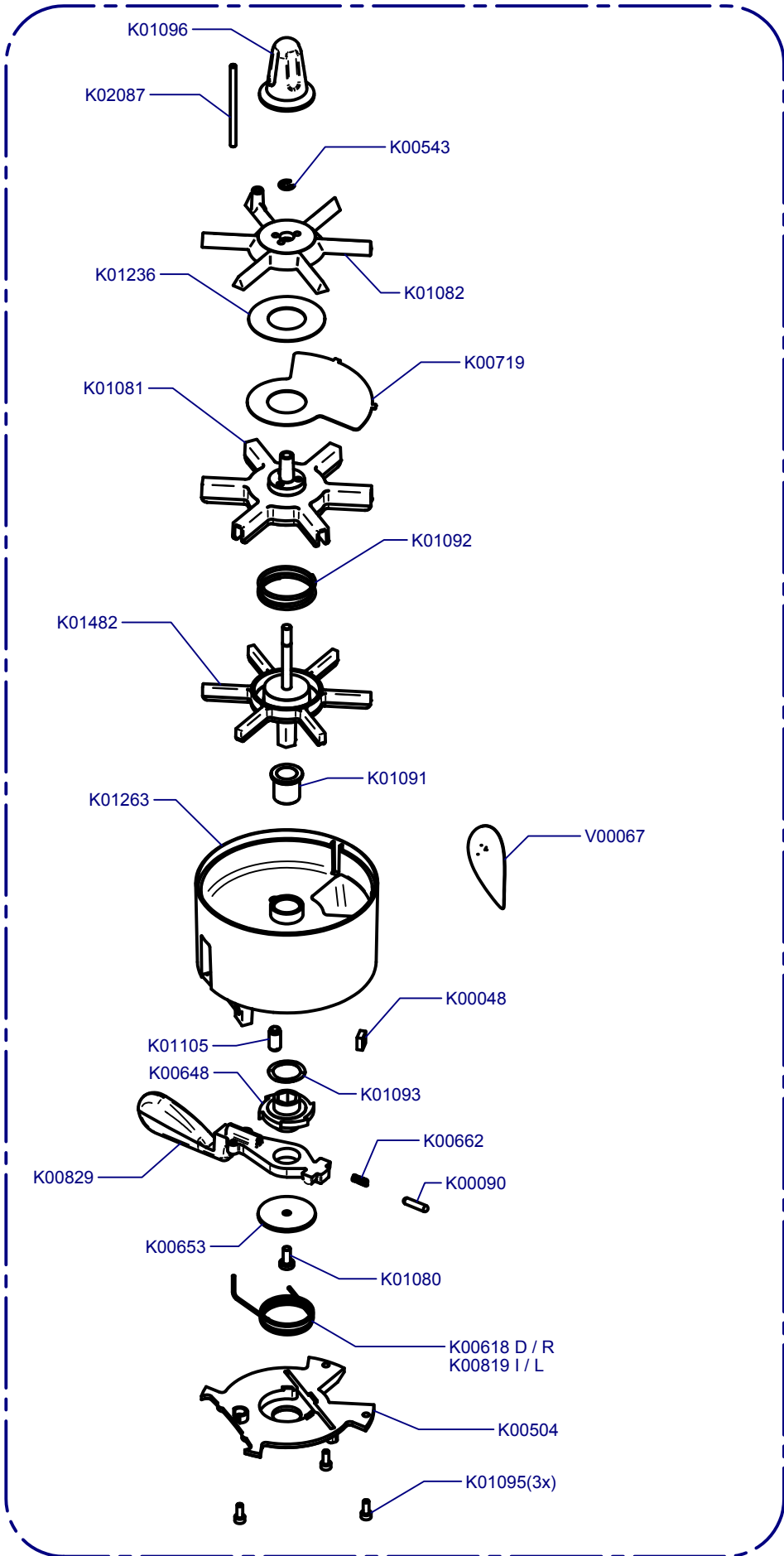


K10 Master Conic Professional Barista Updated 06/05/2014

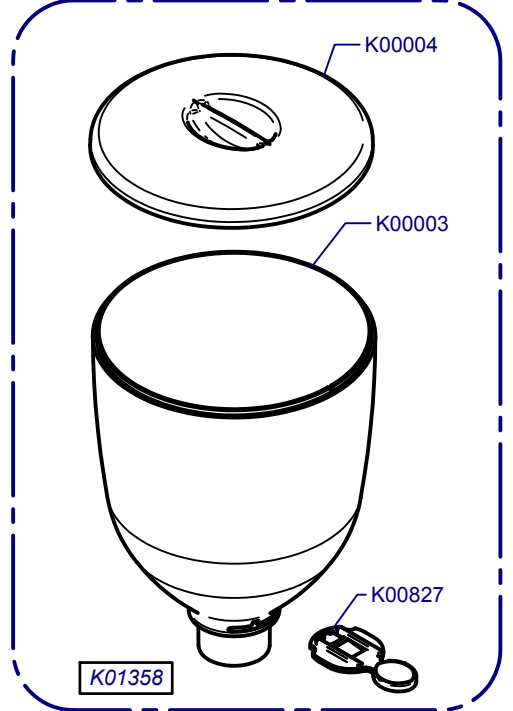


K01330	K00424
CEE GS	CH
K00369	K00341
AUST	UK
	K00113
	USA

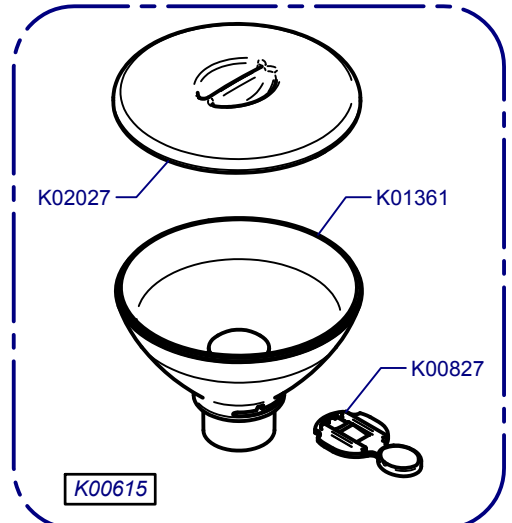
**Dosificador Aluminio/ Aluminium Doser**



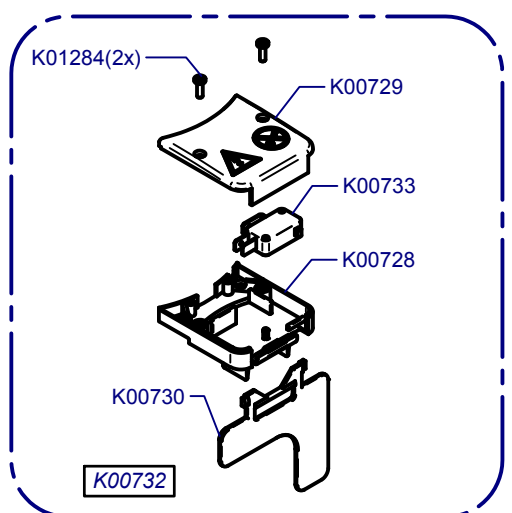
**Tolva Café / Coffee Hopper**

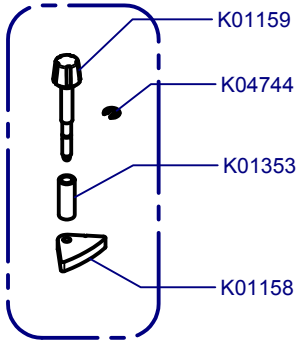


**Tolva Café 275gr / Coffee Hopper 275gr**

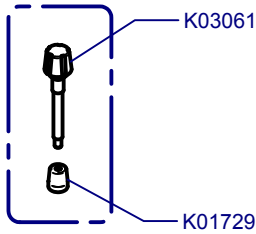


**Paro Automático / Auto Stop**





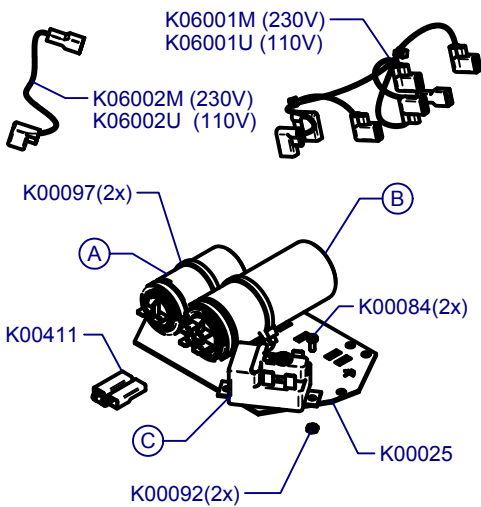
**Sis. Paralel**  
Parallel Sys.



**Sis. Micrometrico**  
Micrometric Sys.

(\*) **Sis. Punto a Punto**  
Stepped Sys.

**Placa Base / Mother Board**



(C)	K03670	220-240V	(A)	K04592	K04574	220-240V
	K03823	100-110V		K03825	K03877	100-110V

**Molienda / Grind**

